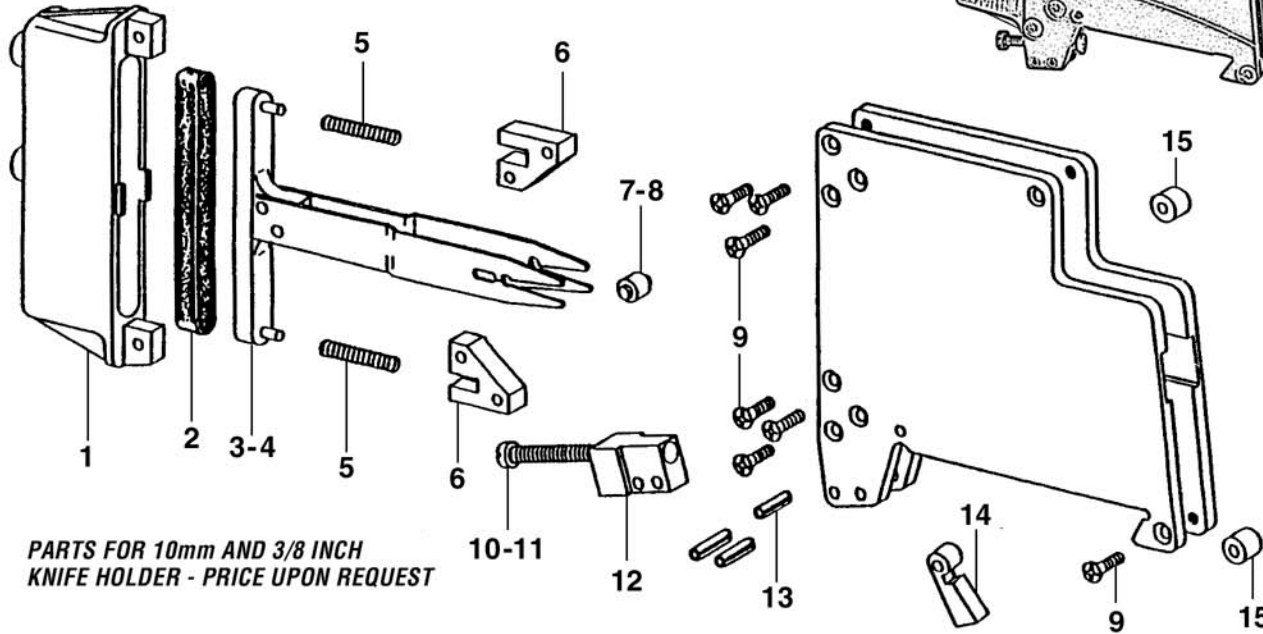


**1-800-407-0173**  
*...For ALL Replacement Needs*

**KNIFE HOLDER ASSY.**

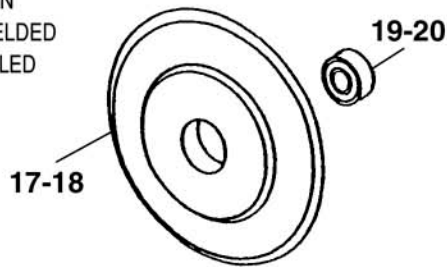
- 1 CYLINDER HOUSING
- 2 PISTON CUP
- 3 PISTON FORK ASSY (STANDARD)
- 4 PISTON FORK ASSY (BACK PULL OUT)
- 5 SPRING
- 6 STOP BLOCK
- 7 AXLE 8mm
- 8 AXLE 6mm
- 9 FLAT HEAD SCREW
- 10 FILLISTER HEAD SCREW
- 11 SOCKET HEAD SCREW
- 12 CLAMP SCREW BRACKET
- 13 SPRING PIN
- 14 CLAMP PAWL
- 15 SPACER



**PARTS FOR 10mm AND 3/8 INCH  
KNIFE HOLDER - PRICE UPON REQUEST**

**KNIFE ASSY.**

- 17 BLADE 22mm
- 18 BLADE 19mm
- 19 BEARING 22mm
- 20 BEARING 19mm
- OPEN
- SHIELDED
- SEALED



**AIR HOSE ASSY.**

- 21 HOSE BARB
- 22 FERRULE
- 23 HOSE
- 24 MALE COUPLING (STANDARD)
- 25 MALE COUPLING (EUROPEAN)
- 26 FEMALE COUPLING (STANDARD)
- 27 FEMALE COUPLING (EUROPEAN)

