

Standard Air Holder

Parts Diagram for TGW # 54AIRHOLD



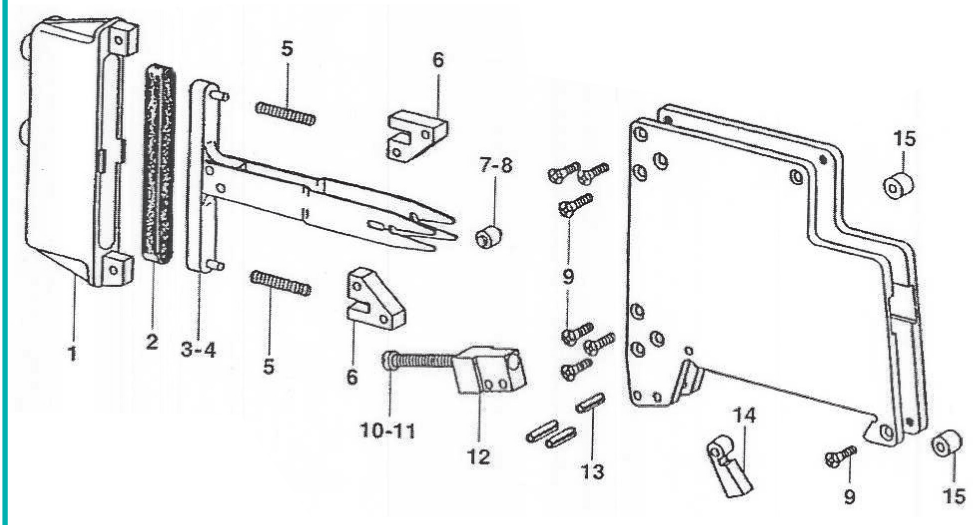
Knife Holder Assembly Part Name TGW

1	Cylinder Housing	680000027
2	Piston Cup	680000015
3-4	Piston Fork Assembly	680000018
5	Spring	680000019
6	Stop Block	n/a
7	Axle 8 mm	680000001
8	Axle 6 mm	680000006
9	Flat Head Screw	680000022
10	Fillister Head Screw	680000013
11	Socket Head Screw	680000038
12	Clamp Screw Bracket	680000023
13	Spring Pin	680000037
14	Clamp Pawl	680000021

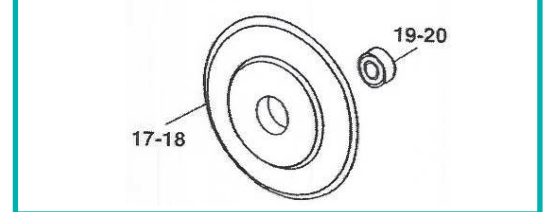
Knife Holder Assembly Part Name TGW

15	Spacer	680000024
16	extra	n/a
17	Slitter 3.03" x 22mm x .244"	540030302
18	Slitter 3.03" x 19mm x .244"	540030301
19	Bearing 22mm Shielded	680000079
20	Bearing 19mm Shielded	680000007
21	Hose Barb	680000035
22	Ferrule	680000044
23	Hose	n/a
24	Male Coupling --- Standard	n/a
25	Male Coupling --- European	n/a
26	Female Coupling --- Standard	680000003
27	Female Coupling --- European	680000005

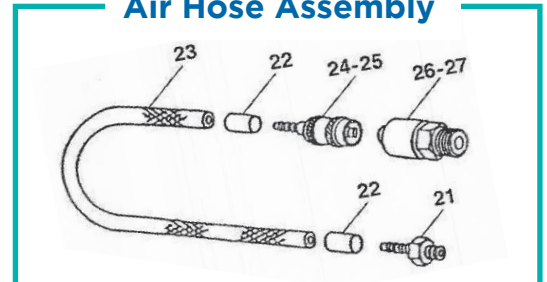
Knife Holder Assembly



Slitter Knife Assembly



Air Hose Assembly



Please call us at **1.800.407.0173** for all of your machine knife needs.

TGW INTERNATIONAL
MACHINE KNIFE MANUFACTURER

Knowledge Leader. Valued Partner. Superior Quality. *Delivered.*™